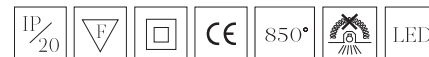


Simon

Recessed downlight adjustable with trim
Ref | 4081



Description

Housing

Material | Aluminium
Mounting | Ceiling Recessed
Adjustability | Tilt +/-30° and rotation 350°
Protection indice | IP20
Safety line | L1000mm
Optimized maintenance, retrofittable | Housing, light source, driver and optic
Finishing | White powder RAL 9003 / Black powder RAL 9005 / Other available on request

Light source

Light source | LED
Initial chromaticity | 2 SDCM / 3 SDCM
Colour rendering index | CRI>97 / CRI>98
Efficacy | 100-120lm/W
Colour temperature | 2700K / 3000K / 3500K / 4000K
Lumen maintenance | Ta 25°C L90/B10 50000h

Driver

External - Connected | No dimmable On-Off / Dimmable (Dali, Triac, 1-10V)
Cable between the housing and the driver | L 300mm
Max Length between housing and driver | L 2000mm
Type of connection, output side | Push button
Protection indice | IP20
Input voltage | 220 to 240V
Input frequency | 50Hz/60Hz
Power factor | 0,9
Driver lifespan | 5000 h: 1%
Range of operating temperatures | +10°C to +40°C
Average ambient temperature | +25°C
Consumption on standby | <0,5 W
Power | 10W 250mA / 14W 350mA / 20W 500mA / 24W 600mA

Optic

Optical type | Lens (10°, 15°, 24°, 36°, 50°)
Light distribution | Symmetric

Luminous flux

Luminous flux tolerance | +/- 10%

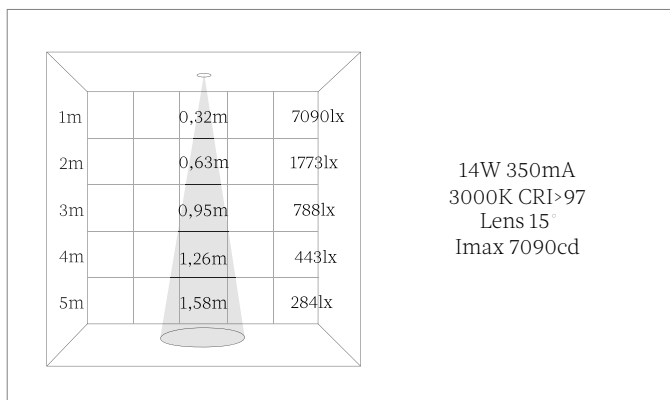
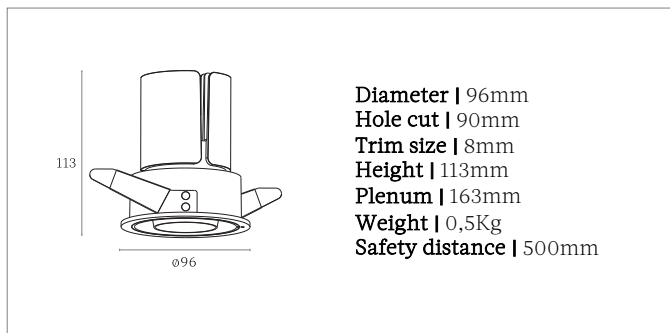
14W 350mA	2700K, CRI>97, 1120lm
	3000K, CRI>97, 1134lm
	4000K, CRI>97, 1190lm
20W 500mA	2700K, CRI>97, 1600lm
	3000K, CRI>97, 1620lm
	4000K, CRI>97, 1700lm
24W 600mA	2700K, CRI>97, 1920lm
	3000K, CRI>97, 1944lm
	4000K, CRI>97, 2040lm

Accessories and options on request

Fast connector
 Snoot length (+50mm, +80mm)
 Light efficacy 130-150lm/W
 Tunable white
 Honeycomb
 Filters

Conformity

European technical standard EN60598-1 and annexes.



Contact

20, rue de Tournon 75006 Paris, France
 Phone: +33(0)1 43 54 00 55
 Email: bonjour@marlone.co
www.marlone.co



Downloads and product information

Product page: <https://marlone.co/produits/simon-4081/>