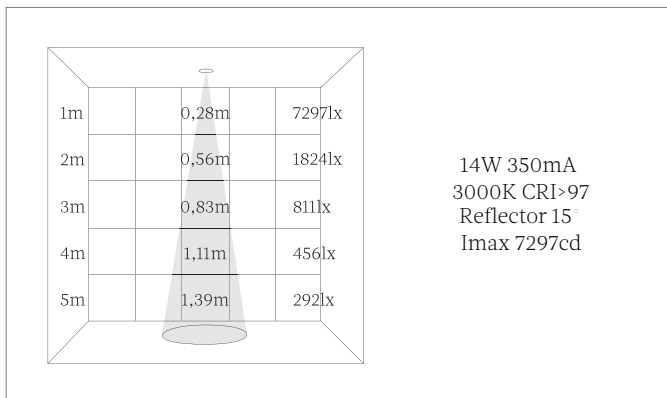
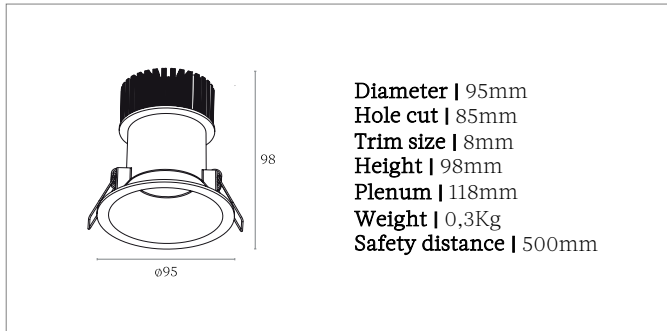


Éléazar

Recessed downlight with trim
Ref | 3021

Éléazar | 3021



Description

Housing

Material | Aluminium

Mounting | Ceiling Recessed

Protection indice | IP65

Safety line | L 1000mm

Optimized maintenance, retrofittable | Housing, light source, driver and optic

Finishing | White powder RAL 9003 / Black powder RAL 9005 / Other available on request

Light source

Light source | LED

Initial chromaticity | 2 SDCM / 3 SDCM

Colour rendering index | CRI>97 / CRI>98

Colour temperature | 2700K / 3000K / 3500K / 4000K

Lumen maintenance | Ta 25°C L90/B10 50000h

Driver

External - Connected | No dimmable On-Off / Dimmable (Dali, Triac, 1-10V)

Cable between the housing and the driver | L 300mm

Max Length between housing and driver | L 2000mm

Type of connection, output side | Push button

Protection indice | IP20

Input voltage | 220 to 240V

Input frequency | 50Hz/60Hz

Power factor | 0,9

Driver lifespan | 5000 h: 1%

Range of operating temperatures | +10°C to +40°C

Average ambient temperature | +25°C

Consumption on standby | <0,5 W

Power | 7W 150mA / 10W 250mA / 14W 350mA

Optic

Optical reflector | Aluminium reflector (15°, 30°, 45°)

Light distribution | Symmetric

Luminous flux

Luminous flux tolerance | +/- 10%

10W 250mA 3000K, CRI>97, 884lm
 4000K, CRI>97, 903lm

14W 350mA 3000K, CRI>97, 1158lm
 4000K, CRI>97, 1199lm

Accessories and options on request

Fast connector

Tunable white

Filters

Conformity

European technical standard EN60598-1 and annexes.

Contact

20, rue de Tournon 75006 Paris, France
 Phone: +33(0)1 43 54 00 55
 Email: bonjour@marlone.co
www.marlone.co



Downloads and product information

Page produit: <https://marlone.co/produits/eleazar-3021/>