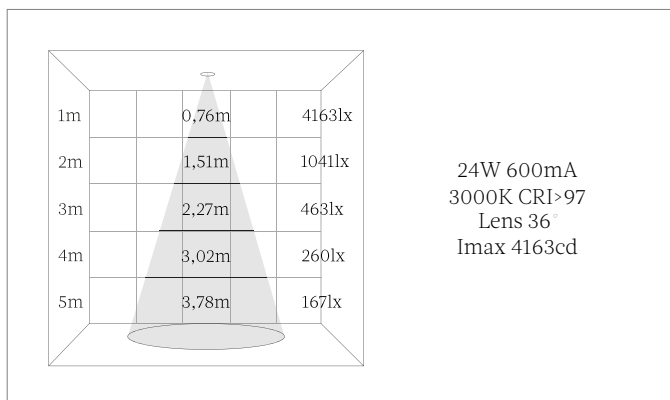
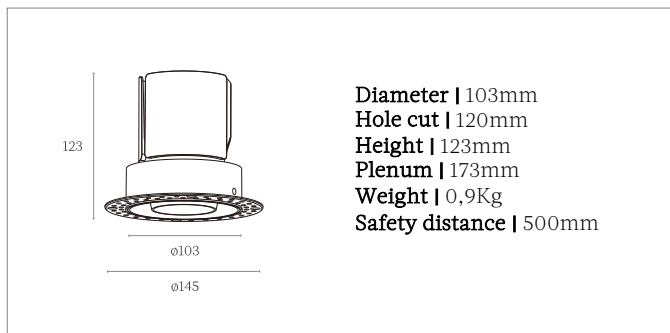
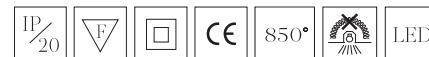


Simon

Recessed downlight adjustable trimless
Ref | 4092



Description

Housing

Material | Aluminium

Mounting | Ceiling Recessed

Adjustability | Tilt +/-30° and rotation 350°

Protection indice | IP20

Safety line | L 1000mm

Optimized maintenance, retrofittable | Housing, light source, driver and optic

Finishing | White powder RAL 9003 / Black powder RAL 9005 / Other available on request

Light source

Light source | LED

Initial chromaticity | 2 SDCM / 3 SDCM

Colour rendering index | CRI>97 / CRI>98

Colour temperature | 2700K / 3000K / 3500K / 4000K

Lumen maintenance | Ta 25°C L90/B10 50000h

Driver

External - Connected | No dimmable On-Off / Dimmable (Dali, Triac, 1-10V)

Cable between the housing and the driver | L 300mm

Max Length between housing and driver | L 2000mm

Type of connection, output side | Push button

Protection indice | IP20

Input voltage | 220 to 240V

Input frequency | 50Hz/60Hz

Power factor | 0,9

Driver lifespan | 5000 h: 1%

Range of operating temperatures | +10°C to +40°C

Average ambient temperature | +25°C

Consumption on standby | <0,5 W

Power | 20W 500mA / 24W 600mA / 28W 700mA

Optic

Optical type | Lens (15°, 24°, 36°, 50°)

Light distribution | Symmetric

Luminous flux

Luminous flux tolerance | +/- 10%

20W 500mA 2700K, CRI>97, 1600lm
3000K, CRI>97, 1640lm
4000K, CRI>97, 1680lm

24W 600mA 2700K, CRI>97, 1920lm
3000K, CRI>97, 1968lm
4000K, CRI>97, 2016lm

28W 700mA 2700K, CRI>97, 2240lm
3000K, CRI>97, 2296lm
4000K, CRI>97, 2352lm

Accessories and options on request

Fast connector

Honeycomb

Filters

Tunable white

Conformity

European technical standard EN60598-1 and annexes.

Contact

20, rue de Tournon 75006 Paris, France
Phone: +33(0)1 43 54 00 55
Email: bonjour@marlone.co
www.marlone.co



Downloads and product information

Product page: <https://marlone.co/produits/simon-4092/>