

# Samson

Tracklight  
Ref | 6080

Samson | 6080



## Description

### Housing

**Material** | Aluminium

**Mounting** | Track 3-phase Nordic Aluminium

**Adjustability** | Tilt 0° to 90° and rotation 350°

**Protection indice** | IP20

**Finishing** | White powder RAL 9003 / Black powder RAL 9005 / Other available on request

### Light source

**Light source** | LED

**Initial chromaticity** | 2 SDCM / 3 SDCM

**Colour rendering index** | CRI>80 / CRI>90 / CRI>95 / CRI>97

**Colour temperature** | 2700K / 3000K / 3500K / 4000K

**Lumen maintenance** | Ta 25°C L90/B10 50000h

### Driver

**Integrated to the rail adapter** | No dimmable On-Off / Dimmable (Dali, 1-10V)

**Input voltage** | 220 to 240V

**Input frequency** | 50Hz/60Hz

**Power factor** | 0,9

**Driver lifespan** | 5000 h: 1%

**Range of operating temperatures** | +10°C to +40°C

**Average ambient temperature** | +25°C

**Power** | 24W 600mA / 28W 700mA

### Optic

**Optical type** | Lens (15°, 24°, 36°)

**Light distribution** | Symmetric

### Luminous flux

**Luminous flux tolerance** | +/- 10%

**24W 600mA**            3000K, CRI>97, 1928lm  
                                 4000K, CRI>97, 2002lm

**28W 700mA**            3000K, CRI>97, 2597lm  
                                 4000K, CRI>97, 2795lm

### Accessories and options on request

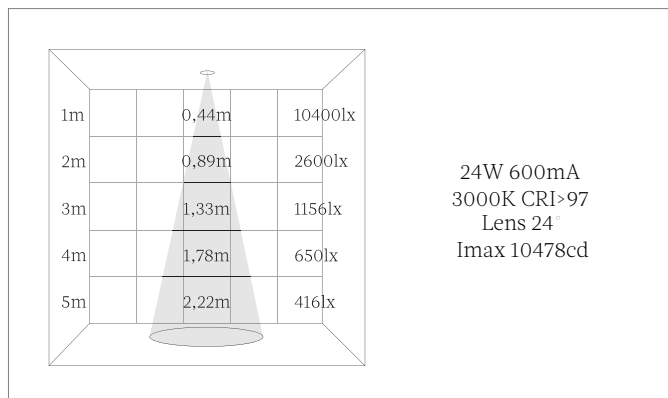
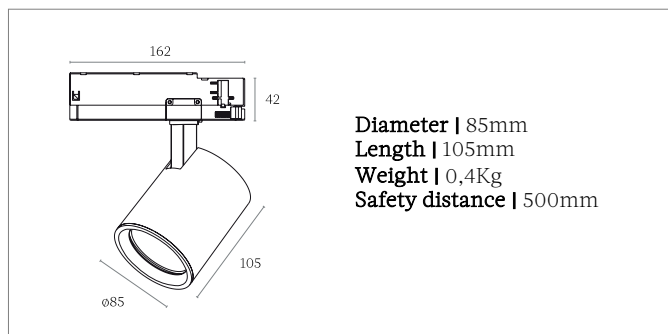
Honeycomb

Tunable white

Dim button on track adapter

### Conformity

European technical standard EN60598-1 and annexes.



### Contact

20, rue de Tournon 75006 Paris, France  
Phone: +33(0)1 43 54 00 55  
Email: [bonjour@marlone.co](mailto:bonjour@marlone.co)  
[www.marlone.co](http://www.marlone.co)



### Downloads and product information

Product page: <https://marlone.co/produits/samson-6080/>