

Gabriel

Recessed spotlight adjustable with trim
Ref. | 1032

Gabriel | 1032



Description

Housing

Material | Aluminium

Mounting | Ceiling Recessed

Adjustability | Tilt 0° to 90° and rotation 350°

Protection indice | IP20

Safety line | L 1000mm

Finishing | White powder RAL 9003 / Black powder RAL 9005 / Other available on request

Light source

Light source | LED

Initial chromaticity | 2 SDCM / 3 SDCM

Colour rendering index | CRI>80 / CRI>90 / CRI>95 / CRI>97

Colour temperature | 2700K / 3000K / 3500K / 4000K

Lumen maintenance | Ta 25 C L90/B10 50000h

Driver

External - Connected | No dimmable On-Off / Dimmable (Dali, Triac, 1-10V)

Protection indice | IP20

Input voltage | 220 to 240V

Input frequency | 50Hz/60Hz

Power factor | 0,9

Driver lifespan | 5000 h: 1%

Range of operating temperatures | +10 C to +40 C

Average ambient temperature | +25 C

Power | 10W 250mA

Optic

Optical type | Lens (15°, 24°, 36°)

Light distribution | Symmetric

Luminous flux

Luminous flux tolerance | +/- 10%

10W 250mA 2700K, CRI>97, 822lm
 3000K, CRI>97, 853lm
 4000K, CRI>97, 875lm

Accessories and options on request

Honeycomb

Filters

Tunable white

Trim base ø50mm (Hole cut 40mm)

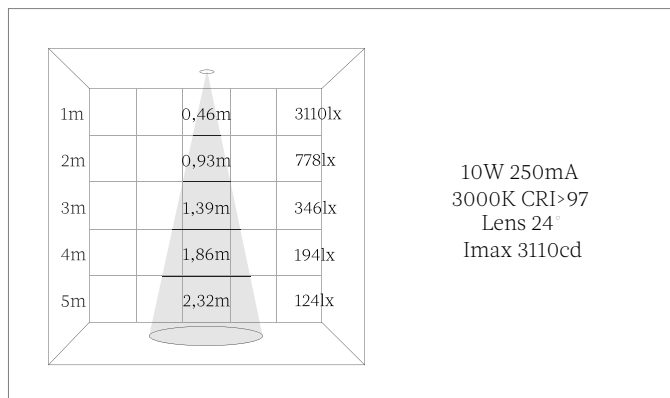
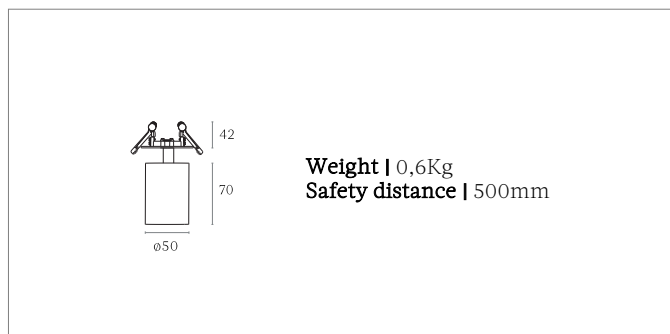
Trim base ø85mm (Hole cut 70mm)

Arm length (26mm, 50mm)

Fast connector

Conformity

European technical standard EN60598-1 and annexes.



Contact

Phone: +33(0)1 47 48 10 64
Email: bonjour@marlone.co
www.marlone.co



Downloads and product information

Product page: <https://marlone.co/produits/gabriel-1032-3/>