

# Gabriel

48V Tracklight  
Ref | 8131

Gabriel | 8131



## Description

### Housing

**Material** | Aluminium

**Mounting** | 48V Track

**Adjustability** | Tilt 0° to 90° and rotation 350°

**Protection indice** | IP20

**Finishing** | White powder RAL 9003 / Black powder RAL 9005 / Other available on request

### Light source

**Light source** | LED

**Initial chromaticity** | 2 SDCM / 3 SDCM

**Colour rendering index** | CRI>80 / CRI>90 / CRI>95 / CRI>97

**Colour temperature** | 2700K / 3000K / 3500K / 4000K

**Lumen maintenance** | Ta 25 C L90/B10 50000h

### Driver

**Integrated to the rail adapter** | No dimmable On-Off / Dimmable (Dali)

**Input voltage** | 48V

**Driver lifespan** | 5000 h: 1%

**Range of operating temperatures** | +10 C to +40 C

**Average ambient temperature** | +25 C

**Power** | 14W 350mA

### Optic

**Optical type** | Lens zoom 15° to 50°

**Light distribution** | Symmetric

### Luminous flux

**Luminous flux tolerance** | +/- 10%

**14W 350mA** 2700K, CRI>97, 1062lm

3000K, CRI>97, 1091lm

4000K, CRI>97, 1124lm

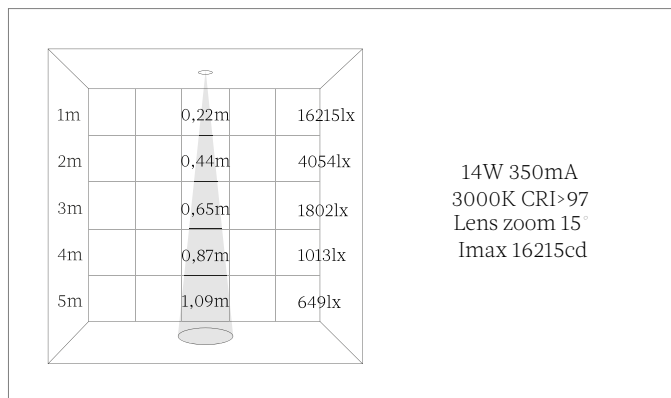
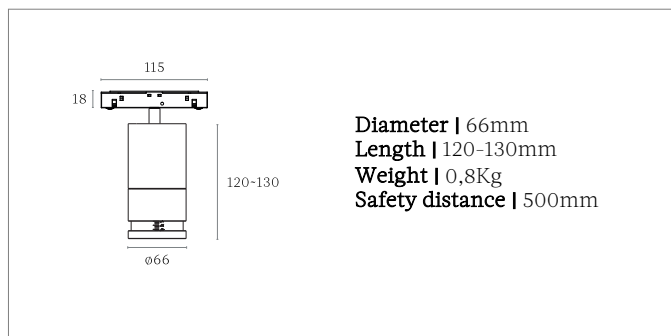
### Accessories and options on request

Arm length (26mm, 50mm)

Tunable white

### Conformity

European technical standard EN60598-1 and annexes.



### Contact

Phone: +33(0)1 47 48 10 64  
Email: [bonjour@marlone.co](mailto:bonjour@marlone.co)  
[www.marlone.co](http://www.marlone.co)



### Downloads and product information

Product page: <https://marlone.co/produits/gabriel-8131-3/>